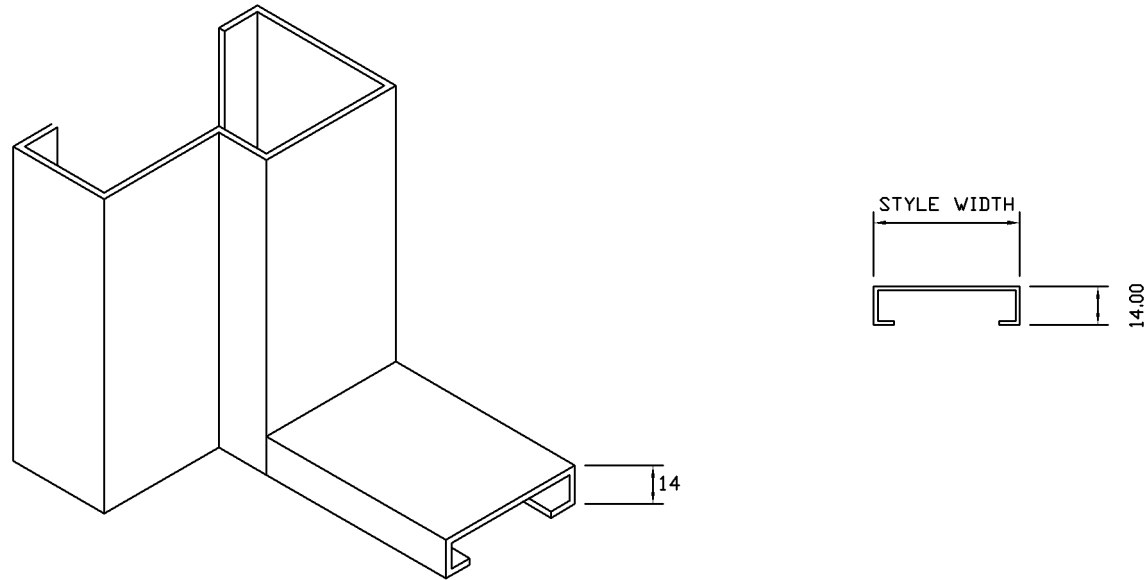


This type of cill sits at the back of the frame. A good cill to choose if a flat low level cill is required, also if a panic bolt is being used on the door.



Please quote drawing ref & drawing revision number when ordering

Handings and sizes must be confirmed when ordering

VIEWED FROM

F TYPE CILL

DRAWING REVISION:

HANDING:

DRAWING REF:

HANDING:

CUSTOMER:

OPENS:

DRAWN BY: GDL

DATE:

OPENS: