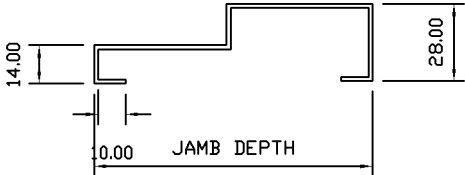
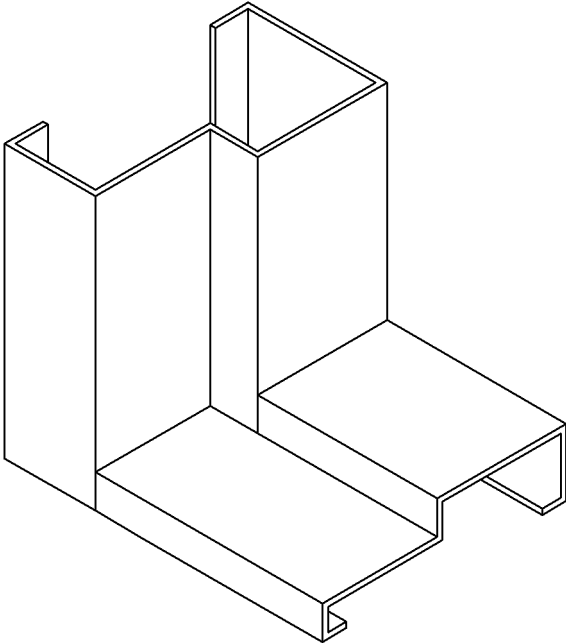


This type of cill is used when perhaps the floor outside is raised. Using this cill will allow the door to swing freely open without being obstructed by the outside floor.



Please quote drawing ref & drawing revision number when ordering

Handings and sizes must be confirmed when ordering

VIEWED FROM

A TYPE CILL

DRAWING REVISION:

HANDING:

DRAWING REF:

HANDING:

CUSTOMER:

OPENS:

DRAWN BY: GDL

DATE:

OPENS: